

PS93 – General Purpose Differential Pressure Switch

- ▶ 10 to 45 psi (.7 to 3 bar) *formerly PS-D series*
- ▶ Compact Construction
- ▶ Can Be Mounted in Tight Spaces
- ▶ Rugged Housing

The PS93 Series compact design enables them to be mounted in tight spaces. The switches use a piston/diaphragm design which incorporates the high proof pressure of piston technology with the sensitivity of a diaphragm design. The PS93 series switches may be field or factory adjusted via a hex screw inside the low port, protecting them against unauthorized tampering.

Specifications

Operating Temperature	
Buna-N	-4°F to +176°F (-20°C to +80°C)
EPDM¹	-40°F to +176°F (-40°C to +80°C)
Viton^{®1}	+32°F to +176°F (+0°C to +80°C)
Switch²	5 Amp SPDT @ 240 VAC and 24 VDC; 0.5 Amp @ 24 VDC (-G option)
Repeatability	±2% of highest set point @ 68°F (20°C)
Wetted Parts	
Diaphragm	Buna-N (optional EPDM, Viton [®] and Neoprene)
Fitting	Zinc-plated steel (optional Brass or 316 Stainless Steel)
Electrical Termination	DIN 43650A (IP65)
Proof Pressure	500 psi (35 bar)
Approvals	CE
Weight, Approximate	0.75 lbs. (0.35 kg)

Notes:

- Optional
- Gold contacts (option G) may be required for less than 12 VDC and 20 mA.

How To Order

Use the **Bold** characters from the chart below to construct a product code.

SELECT	PS93	-10	-4MNS/4MNS	-C	-H	-XX	-XXXX
---------------	-------------	------------	-------------------	-----------	-----------	------------	--------------

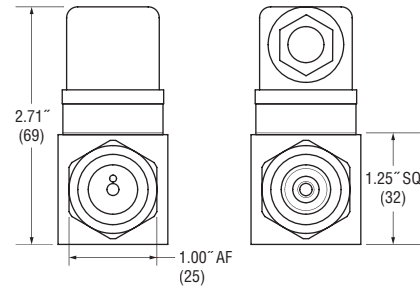
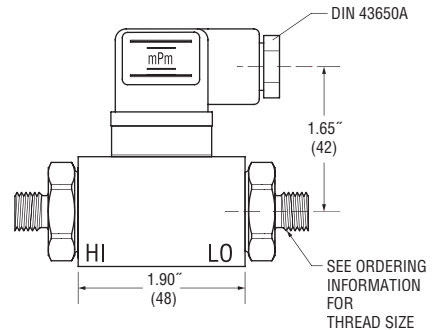
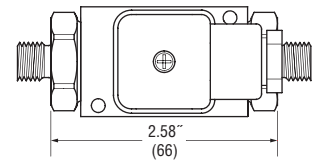
- Pressure Range Code **10**
Insert Pressure Range Code from table below right
- Pressure Fitting **4MNS**
High Port: 12L14 Zinc Plated Steel
Low Port: Brass
-2MNZ 1/8" NPTM; -2MGZ 1/8" BSPM; -4MNZ 1/4" NPTM; -4MGZ 1/4" BSPM; -4FNZ 1/4" NPTF; -4MSZ 7/16"-20 SAE Male
316 Stainless Steel: -4MNS 1/4" NPTM
- Circuit **C**
-C SPDT
- Electrical Termination **H**
-H DIN 43650A Male Half Only (standard); -HC DIN 43650A 9mm Cable Clamp; -HN DIN 43650A with 1/2" Female NPT Conduit
- Options **XX**
-V Viton[®] Diaphragm; -E EPDM Diaphragm; -N Neoprene Diaphragm; -G Gold Contacts (for loads less than 12 mA @ 12 VDC)
- Fixed Set Point (optional)
A. Specify set point **-FS** (in PSI or BAR, see example)¹
B. Set Point Actuation **R** on Rising Pressure; **F** on Falling Pressure
Example: **-FS1BARF** for 1 BAR Falling or **-FS10PSIR** for 10 PSI Rising

Note:

- Set Point must be within Pressure Range selected in Step 1 above.



Dimensions



Pressure Range Codes

Pressure Range Code	Pressure Range	Average Dead Band
10	10-25 psi (0.7-1.7 bar)	3-8 psi (0.2-0.4 bar)
20	20-45 psi (1.4-3.1 bar)	5-15 psi (0.35-1 bar)