

PS91 – Compact Differential Switch

- ▶ .3 to 1.7 bar (5 to 25 psi)
- ▶ Unaffected by static pressure
- ▶ Robust packaging for harsh applications

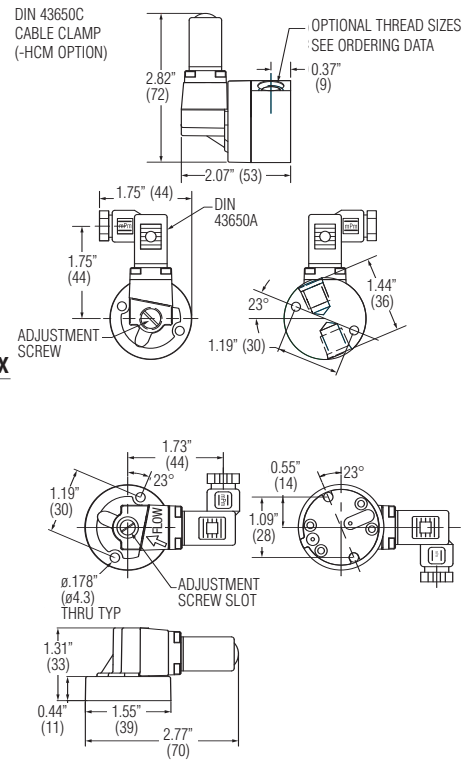
The PS91 is a differential pressure switch that is not affected by changes in static pressure (common line pressure). The PS91 is designed for a unique manifold, or supplied with two 1/8" NPT female ports for more general purpose applications. The switch can be adjusted via a central screw on top of the unit. The unit is supplied with a mini-DIN connector in keeping with the compact packaging.

Specifications

Operating Temperature	-40°C to +80°C (-40°F to +180°F)
Switch*	5 Amp @ 24Vdc and 250Vac; 0.5 Amp @ 24Vdc
Repeatability	±2% of Full Set Point Range @ 20°C (70°F)
Wetted Parts	
Diaphragm	Nitrile standard (optional EPDM and Viton®)
Fitting	Black Anodized Aluminum
Housing	30% Glass Filled Nylon; Buna-N O-rings
Electrical Termination	DIN 43650C IP65; Terminals IP00
Proof Pressure	100 bar (1500 psi)
Approvals	CE
Weight, Approximate	0.045 kg (0.10 lbs.)



Dimensions



Pin 1	Common
Pin 2	Normally Closed
Pin 3	Normally Open

*Gold contacts (option G) may be required for less than 12Vdc and 20mA.

How to Order

Use the **Bold** characters from the chart below to construct a product code.

PS91 Series _____ **PS91** **10** **4FSA** **C** **HM** **XX** **XXXX**

Pressure Range Code _____
Insert Pressure Range Code from table below

Pressure Fitting _____
2FNA 1/8" NPTF Aluminum
4FSA 7/16"-20 SAE Female, Aluminum
30MA Manifold Mount, (2) 4.3 mm Dia. Holes, 30.2 mm Dia. B.C., Anodized Black Aluminum

Circuit _____
C SPDT

Electrical Termination _____
HM DIN 43650C Male Half Only (standard)
HCM DIN 43650C 7mm Cable Clamp

Options _____
V Viton® Diaphragm **E** EPDM Diaphragm

Fixed Set Point (optional) _____
A. Specify set point **FS** (in BAR or PSI, see example)* _____
B. Set Point Actuation _____
R on Rising Pressure **F** on Falling Pressure
Example: **FS1BARF** for 1 BAR Falling or **FS10PSIR** for 10 PSI Rising

Note:

1. Set Point must be within Pressure Range selected in Step 1 above.

Pressure Range Table

Pressure Range Code	Pressure Range	Average Dead Band
10	0.35 - 1.0 bar (5 - 15 psid)	0.15-0.3 bar (2-5 psi)
20	0.8 - 1.7 bar (12 - 25 psid)	0.25-0.5 bar (4-7 psi)