

PS51 – Kapton® Diaphragm OEM Subminiature Pressure Switch

- ▶ 1 to 20 bar (15 to 300 psi)
- ▶ Adjustable or factory set

These compact pressure switches are designed for OEM applications. This economical design uses metal blade contacts in lieu of microswitches and features Kapton® diaphragms. Kapton® polyimide maintains excellent physical properties over a wide temperature range. It also offers superb chemical resistance with no known organic solvents.

Specifications

Operating Temperature	-40°C to +93°C (-40°F to +200°F)
Switch*	100 VA Max.
Repeatability	±5% of Full Set Point Range @ 20°C (70°F)
Wetted Parts	
Diaphragm	Teflon® Coated Kapton®
Fitting	Brass standard (optional 316 SS)
Electrical Termination	Exposed Terminals IP00; IP option IP66
Deadband	<5% of Set Point
Proof Pressure	35 bar (500 psi)
Approvals	CE (limits switch voltage to 42Vdc)
Weight, Approximate	Brass: 0.06 kg (0.14 lbs.)



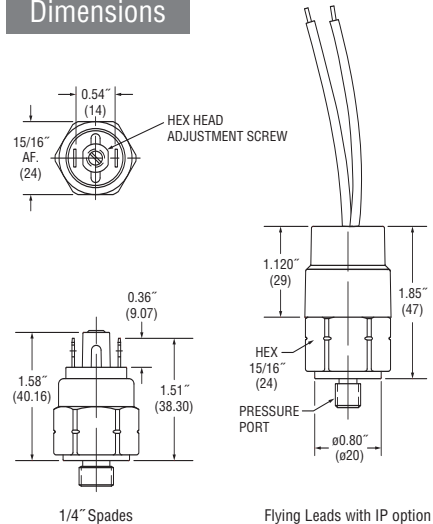
*Gold contacts (option G) may be required for less than 12Vdc and 20mA.
Kapton® is a registered trademark of Dupont.

How to Order

Use the **bold** characters from the chart below to construct a product code.

	PS51	10	4MNB	A	SP	XX	XXXX
PS51 Series _____							
Pressure Range Code _____							
Insert Pressure Range Code from table below							
Pressure Fitting¹ _____							
<i>Brass</i>			<i>316 Stainless Steel</i>				
2MNB 1/8" NPTM			2MNS 1/8" NPTM				
4MNB 1/4" NPTM			4MNS 1/4" NPTM				
2MGB 1/8" BSPM			2MGS 1/8" BSPM				
4MGB 1/4" BSPM			4MGS 1/4" BSPM				
8MGB 1/2" BSPM			4MSS 7/16"-20 SAE Male				
M10B M10 x 1.0, Straight			6MSS 9/16"-18 SAE Male				
M12B M12 x 1.5, Straight							
4MSB 7/16"-20 SAE Male							
6MSB 9/16"-18 SAE Male							
Circuit _____							
A SPST/NO B SPST/NC							
Electrical Termination _____							
SP Spade Terminals (standard) TS Terminal Screws FLXX Flying Leads²							
FLSXX Flying Leads w/PVC Shrink Tubing² - CABXX 18 AWG PVC Cable³							
Options _____							
G Gold Contacts (for loads less than 12mA @ 12Vdc) IP Ingress Protection⁴							
OXY Oxygen Cleaned - RB Rubber Boot (shipped loose)							
WF Weather Pack Connector, Female WM Weather Pack Connector, Male							
DE Deutsch Connector, Male, DT04 Series							
Fixed Set Point (optional) _____							
A. Specify set point FS (in BAR or PSI, see example)⁵ _____							
B. Set Point Actuation _____							
R on Rising Pressure F on Falling Pressure							
Example: FS5BARF for 5 BAR Falling or FS20PSIR for 20 PSI Rising							

Dimensions



Pressure Range Table

Pressure Range Code	Pressure Range
10	1.0-10.3 bar (15-150 psi)
20	10.3-20.7 bar (150-300 psi)

Notes:

- Other connectors available. Consult factory.
- 18" is standard. Specify lead length in inches (max. 48"). e.g. **FL18** or **FLS30**.
- 36" is minimum. Specify cable length in inches. e.g. **CAB36** or **CAB120**.
- Ingress Protection is available only with **FL**, **FLS** or **CAB** Electrical Termination choices.
- Set Point must be within Pressure Range selected in Step 1 above.