

PS32 – Elastomer Diaphragm OEM Subminiature Pressure Switch

- ▶ .14 to 10 bar (2 to 150 psi) *formerly PS-JL series*
- ▶ Ideal for pneumatic and low pressure hydraulic applications
- ▶ Adjustable or factory set

These compact pressure switches are designed for OEM applications. Made economical by using metal blade contacts in lieu of microswitches, the series features long-lasting Elastomer diaphragms in three materials. Elastomer diaphragms offer increased sensitivity and life for applications without temperature extremes.

Specifications

Operating Temperature	-40°C to +93°C (-40°F to +200°F)
Switch*	100 VA Max.
Repeatability	±5% of Full Set Point Range @ 20°C (70°F)
Wetted Parts	
Diaphragm	Elastomer (Nitrile standard) (Viton, EPDM optional)
Fitting	Brass standard (optional 316 SS)
Electrical Termination	Exposed Terminals IP00; IP option IP66
Deadband	<5% of Set Point
Proof Pressure	35 bar (500 psi)
Approvals	CE (limits switch voltage to 42Vdc)
Weight, Approximate	Brass: 0.06 kg (0.14 lbs.)

*Gold contacts (option G) may be required for less than 12Vdc and 20mA.

How to Order

Use the **bold** characters from the chart below to construct a product code.

PS32 10 4MNB A SP XX XXXX

PS32 Series _____

Pressure Range Code _____
Insert Pressure Range Code from table below

Pressure Fitting¹ _____

<i>Brass</i>	<i>316 Stainless Steel</i>
2MNB 1/8" NPTM	2MNS 1/8" NPTM
4MNB 1/4" NPTM	4MNS 1/4" NPTM
2MGB 1/8" BSPM	2MGS 1/8" BSPM
4MGB 1/4" BSPM	4MGS 1/4" BSPM
4MSB 7/16"-20 SAE Male	4MSS 7/16"-20 SAE Male

Circuit _____
A SPST/NO **B** SPST/NC

Electrical Termination _____
SP Spade Terminals (standard) **TS** Terminal Screws **FLXX** Flying Leads²
FLSXX Flying Leads w/PVC Shrink Tubing² **CABXX** 18 AWG PVC Cable³

Options _____
V Viton® Diaphragm **E** EPDM Diaphragm **H** ECOH Diaphragm
G Gold Contacts (for loads less than 12mA @ 12Vdc) **IP** Ingress Protection⁴
OXY Oxygen Cleaned **RB** Rubber Boot (shipped loose)
WF Weather Pack Connector, Female **WM** Weather Pack Connector, Male
DE Deutsch Connector, Male, DT04 Series

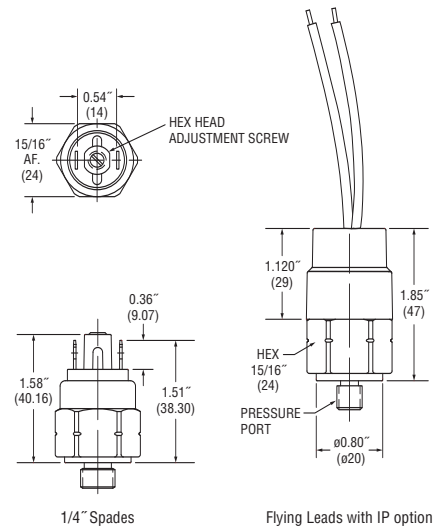
Fixed Set Point (optional) _____
A. Specify set point **FS** (in PSI or BAR, see example)⁵
B. Set Point Actuation _____
R on Rising Pressure **F** on Falling Pressure
Example: **FS0.3BARF** for 0.3 BAR Falling or **FS3PSIR** for 3 PSI Rising

Notes:

1. Other connectors available. Consult factory.
2. 18" is standard. Specify lead length in inches (max. 48"). e.g. **FL18** or **FLS30**.
3. 36" is minimum. Specify cable length in inches. e.g. **CAB36** or **CAB120**.
4. Ingress Protection is available only with **FL**, **FLS** or **CAB** Electrical Termination choices.
5. Set Point must be within Pressure Range selected in Step 1 above.



Dimensions



Pressure Range Table

Pressure Range Code	Pressure Range
20	0.35-1.7 bar (5-25 psi)
30	1.4-4.1 bar (20-60 psi)
40	3.4-10.3 bar (50-150 psi)