

PS31 – Kapton® Diaphragm OEM Subminiature Pressure Switch

- ▶ .14 to 10 bar (2 to 150 psi) *formerly PS-JL series*
- ▶ Ideal for pneumatic and low pressure hydraulic applications
- ▶ Adjustable or factory set

These compact pressure switches are designed for OEM applications. Made economical with metal blade contacts in lieu of microswitches, the PS31 series features Kapton® diaphragms. Kapton® polyimide maintains excellent physical properties over a wide temperature range. It also offers superb chemical resistance with no known organic solvents.



Specifications

Operating Temperature	-40°C to +93°C (-40°F to +200°F)
Switch*	100 VA Max.
Repeatability	±5% of Full Set Point Range @ 20°C (70°F)
Wetted Parts	
Diaphragm	Teflon® Coated Kapton®
Fitting	Brass (optional 316 Stainless Steel)
Electrical Termination	Exposed Terminals IP00; IP option IP66
Deadband	<5% of Set Point
Proof Pressure	35 bar (500 psi)
Approvals	CE (limits switch voltage to 42Vdc)
Weight, Approximate	Brass: 0.06 kg (0.14 lbs.)

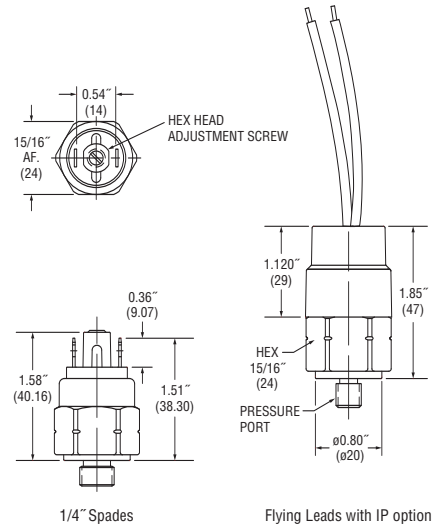
*Gold contacts (option G) may be required for less than 12Vdc and 20mA.
Kapton® is a registered trademark of Dupont.

How to Order

Use the **bold** characters from the chart below to construct a product code.

	PS31	10	4MNB	A	SP	XX	XXXX
PS31 Series _____							
Pressure Range Code _____							
Insert Pressure Range Code from table below							
Pressure Fitting¹ _____							
<i>Brass</i>	<i>316 Stainless Steel</i>						
2MNB 1/8" NPTM	2MNS 1/8" NPTM						
4MNB 1/4" NPTM	4MNS 1/4" NPTM						
2MGB 1/8" BSPM	2MGS 1/8" BSPM						
4MGB 1/4" BSPM	4MGS 1/4" BSPM						
8MGB 1/2" BSPM	4MSS 7/16"-20 SAE Male						
M10B M10 x 1.0, Straight	6MSS 9/16"-18 SAE Male						
M12B M12 x 1.5, Straight							
4MSB 7/16"-20 SAE Male							
6MSB 9/16"-18 SAE Male							
Circuit _____							
A SPST/NO B SPST/NC							
Electrical Termination _____							
SP Spade Terminals (standard) TS Terminal Screws FLXX Flying Leads ² FLSXX Flying Leads w/PVC Shrink Tubing ² CABXX 18 AWG PVC Cable ³							
Options _____							
G Gold Contacts (for loads less than 12mA @ 12Vdc) IP Ingress Protection ⁴ OXY Oxygen Cleaned RB Rubber Boot (shipped loose) WF Weather Pack Connector, Female WM Weather Pack Connector, Male DE Deutsch Connector, Male, DT04 Series							
Fixed Set Point (optional) _____							
A. Specify set point FS (in BAR or PSI, see example) ⁵ B. Set Point Actuation R on Rising Pressure; F on Falling Pressure Example: FS0.3BARF for 0.3 BAR Falling or FS3PSIR for 3 PSI Rising							

Dimensions



Pressure Range Table

Pressure Range Code	Pressure Range
20	0.35-1.7 bar (5-25 psi)
30	1.4-4.1 bar (20-60 psi)
40	3.4-10.3 bar (50-150 psi)